

# PHILIPS

## Portable Radio

### 2000 Series

R2506



# User manual

Register your product and get support at:  
[www.philips.com/support](http://www.philips.com/support)

# Contents

---

1	Important	2
	Safety	2
	Notice	2

---

2	Your Portable Radio	3
	Introduction	3
	What's in the box	3
	Overview of the portable radio	3

---

3	Get started	4
	Install batteries	4
	Connect power	4

---

4	Listen to FM/MW Radio	5
	Tune to radio stations	5
	Adjust volume	5
	Connecting to headphones	5

---

5	Product information	6
---	---------------------	---

---

6	Troubleshooting	6
---	-----------------	---

# 1 Important

## Safety

- Read these instructions.
- Heed all warnings.
- Follow all instructions.
- Do not block any ventilation openings. Install in accordance with the manufacturer's instructions.
- Do not install near any heat sources such as radiators, heat registers, stoves, or other apparatus (including amplifiers) that produce heat.
- Protect the power cord from being walked on or pinched, particularly at plugs, convenience receptacles, and the point where they exit from the portable radio.
- Only use attachments/accessories specified by the manufacturer.
- Unplug this apparatus during lightning storms or when unused for long periods of time.
- Refer all servicing to qualified service personnel. Servicing is required when the apparatus has been damaged in any way, such as power-supply cord or plug is damaged, liquid has been spilled or objects have fallen into the apparatus, the apparatus has been exposed to rain or moisture, does not operate normally, or has been dropped.
- Battery usage CAUTION - To prevent battery leakage which may result in bodily injury, property damage, or damage to the portable radio:
  - Install all batteries correctly, + and - as marked on the unit.
  - Remove batteries when the unit is not used for a long time.
  - The battery shall not be exposed to excessive heat such as sunshine, fire or the like.
- This portable radio shall not be exposed to dripping or splashing.
- Do not place any sources of danger on the portable radio (e.g. liquid filled objects, lighted candles).

## Notice

Any changes or modifications made to this device that are not expressly approved by MMD Hong Kong Holding Limited may void the user's authority to operate the product. Hereby, TP Vision Europe B.V. declares that this product is in compliance with the essential requirements and other relevant provisions of Directive 2014/53/EU. You can find the Declaration of Conformity on [www.philips.com/support](http://www.philips.com/support).



This product complies with the radio interference requirements of the European Community.



This product is designed and manufactured with high-quality materials and components, which can be recycled and reused.



This symbol means the product must not be discarded as household waste and should be delivered to an appropriate collection facility recycling. Follow local rules and never dispose of the product and rechargeable batteries with normal household waste. Correct disposal of old products and rechargeable batteries helps prevent negative consequences for the environment and human health.



This symbol means that the product contains batteries covered by European Directive 2013/56/EU which cannot be disposed of with normal household waste. Inform yourself about the local separate collection system for electrical and electronic collection system for electrical and electronic products and batteries. Follow local rules and never dispose of the product and batteries with normal household waste. Correct disposal of old products and batteries helps prevent negative consequences for the environment and human health.

## 2 Your Portable Radio

Congratulations on your purchase, and welcome to Philips! To fully benefit from the support that Philips offers, register your product at [www.philips.com/support](http://www.philips.com/support).

### Introduction

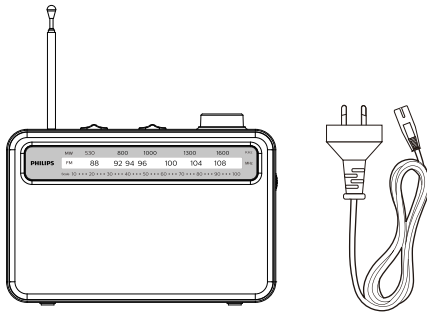
With this portable radio, you can

- listen to FM/MW radio


### What's in the box

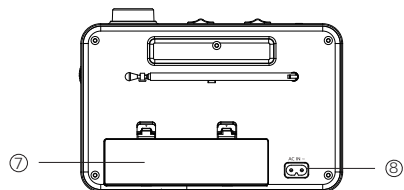
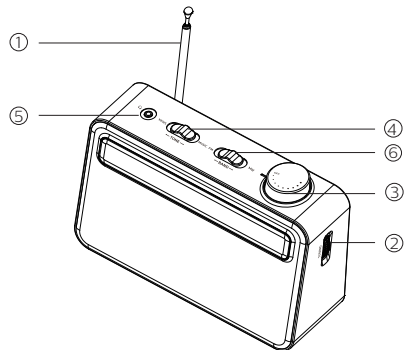
Check and identify the contents of your package:

- Main unit
- Power cord
- Quick start guide
- Safety sheet
- Warranty



### Overview of the portable radio

- ① **Telescopic antenna**  
– improves FM reception.
- ② **TUNING**  
– in FM/MW mode, fine tunes a station.
- ③ **Volume / On off**  
– switch on the set.  
– adjusts the sound level.
- ④ **STONE**  
– selects NEWS or MUSIC mode.
- ⑤  **Headphones**  
– 3.5 mm headphones socket.
- ⑥ **Band selector**  
– selects the waveband: FM or MW.
- ⑦ **Battery compartment**
- ⑧ **AC IN**  
– 220-240V 50-60Hz.



# 3 Get started

Always follow the instructions in this chapter in sequence.

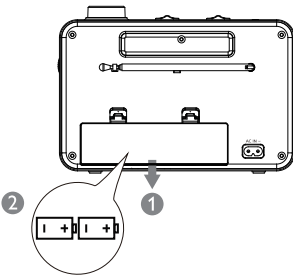
## Install batteries



### Caution

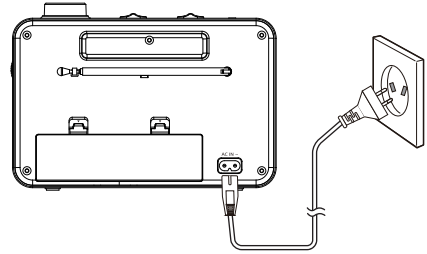
- Risk of explosion! Keep the batteries away from heat, sunshine or fire. Never discard batteries in fire.
- Batteries contain chemical substances, so they should be disposed of properly.
- Do not mix battery types: e.g. alkaline with carbon zinc. Only use batteries of the same type for the set.

Insert 2 x 1.5V R20/UM1/D batteries (not provided) with correct polarity (+/-) as illustrated.



### Note

- The type plate is located at the bottom of the portable radio.



## Connect power

Connect the supplied AC power cord to:

- the AC MAINS jack on the main unit.
- the wall outlet.



### Caution

- Risk of product damage! Make sure that the power voltage corresponds to the voltage printed on the back or underside of the portable radio.
- Risk of electrical shock! When you unplug the power cord, always pull the plug from the socket. Never pull the cord.

# 4 Listen to FM/MW radio



## Note

- Keep the portable radio away from other electronic devices to avoid radio interference.
- For better reception, fully extend and adjust the position of the FM antenna.

---

## Tune to radio stations

- 1 Turn the Volume/On off control to switch on the set.
- 2 Set the band selector to **FM** or **MW**.
- 3 Select your station using the **TUNING** control.
- 4 To switch off the radio, turn the Volume/On off control to **OFF**.

---

## Adjust volume

Adjust the sound with the Volume/On off control.

---

## Connecting to headphones

You can connect headphones to the headphone socket.

-> The loudspeakers will then be switched off.

# 5 Product information



## Note

- Product information is subject to change without prior notice.

### Power

Battery type	D SIZE(LR20)
Battery voltage	1.5V
Number of batteries	2
AC input	220-240V 50-60Hz

### Tuner/Reception/Transmission

Tuner bands	FM 88 - 108 MHz MW 530 - 1600 KHz
-------------	--------------------------------------

### Sound

Sound system	Mono
Volume control	Rotary (analogue)
Output power	300 mW RMS

### Connectivity

Audio/Video output	Headphones (3.5mm)
--------------------	-----------------------

### General information

Dimensions (W x H x D)	210 x 149x 67 mm
Weight (Main unit)	668.4 g

# 6 Troubleshooting



## Warning

- Never remove the casing of the product.

To keep the warranty valid, never try to repair the device yourself.

If you encounter problems when using this device, check the following points before requesting service. If the problem remains unsolved, go to the Philips webpage ([www.philips.com/support](http://www.philips.com/support)). When you contact Philips, make sure that the device is nearby and the model number and serial number are available.

### No power

- Make sure that the AC power plug of the unit is connected properly.
- Make sure that there is power at the AC outlet.
- Batteries may be dead or incorrectly inserted. -> Insert (fresh) batteries correctly.

### No sound

- Adjust the volume.
- Check if headphones are connected to the set. If yes, disconnect the headphones.

### Poor radio reception

- Fully extend and adjust the position of the antenna.



2021 © MMD Hong Kong Holding Limited. All rights reserved. Specifications are subject to change without notice.

Philips and the Philips Shield Emblem are registered trademarks of Koninklijke Philips N.V. and are used under license. This product has been manufactured by and is sold under the responsibility of MMD Hong Kong Holding Limited or one of its affiliates, and MMD Hong Kong Holding Limited is the warrantor in relation to this product.

