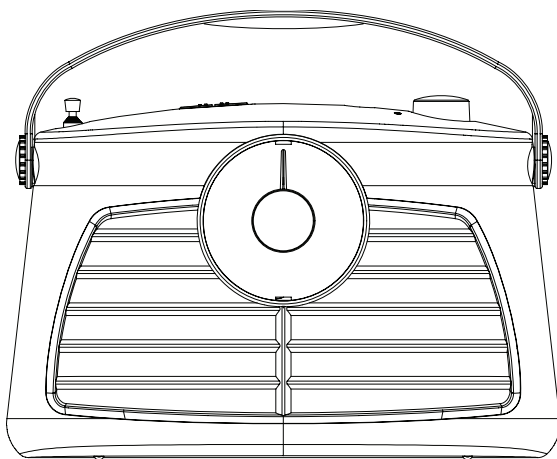




TEAC

PR-192

PORTABLE FM/AM RADIO



OWNER'S MANUAL

Thanks for buying a TEAC. Read this manual carefully to get the best performance from this unit.

**WARNING:**

TO PREVENT FIRE OR SHOCK HAZARD, DO NOT EXPOSE THIS APPLIANCE TO RAIN OR MOISTURE.

DISCONNECT THE MAINS PLUG FROM THE SUPPLY SOCKET WHEN NOT IN USE.

WHERE THE MAINS PLUG OR AN APPLIANCE COUPLER IS USED AS THE DISCONNECT DEVICE, THE DISCONNECT DEVICE SHALL REMAIN READILY OPERABLE.

NO NAKED FLAME SOURCE, SUCH AS LIGHTED CANDLES, SHOULD BE PLACED ON THE APPARATUS.

THE LIGHTNING FLASH AND ARROW HEAD WITHIN THE TRIANGLE IS A WARNING SIGN ALERTING YOU OF DANGEROUS VOLTAGE INSIDE THE PRODUCT.



WARNING : TO REDUCE THE RISK OF ELECTRIC SHOCK, DO NOT REMOVE COVER (OR BACK). NO USER-SERVICEABLE PARTS INSIDE. REFER SERVICING TO QUALIFIED SERVICE PERSONNEL.



THE EXCLAMATION POINT WITHIN THE TRIANGLE IS A WARNING SIGN ALERTING YOU OF IMPORTANT INSTRUCTIONS ACCOMPANYING THE PRODUCT.

**WARNING**

TO REDUCE THE RISK OF FIRE OR ELECTRONIC SHOCK, DO NOT EXPOSE THIS APPLIANCE TO RAIN OR MOISTURE.

Dripping warning :

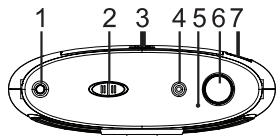
"The product shall not be exposed to dripping of splashing and that no objects filled with liquids, such as vases, shall be placed on the product."

Ventilation warning :

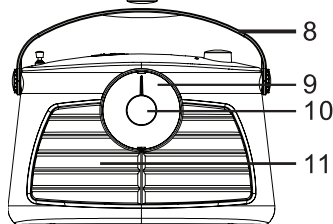
"The normal ventilation of the product shall not be impeded for intended use."



CONTROL AND THEIR FUNCTIONS



1. Rod Antenna
2. Band Switch
3. Battery Compartment Door (on back side)
4. Aux-In Jack
5. Radio On Indicator
6. Volume Knob / On/Off knob
7. AC Socket (on back side)



8. Handle
9. Dial Scale
10. Tuning Knob
11. Speaker

POWER SOURCE

BATTERY POWER OPERATION

1. Open the battery compartment door by pushing the catches downwards.
2. Install 4 x UM2 batteries carefully as indicated in battery compartment.
3. Close the battery compartment.

AC POWER OPERATION

Connect receptacle end of the mains lead to the AC socket and the plug to an AC outlet.

OPERATION

1. Turn the Volume Knob / On/Off knob clockwise until you listen a click sound, the radio will be turn on.
The Radio On Indicator will light on.
2. Select the desired radio band with the Band Switch.
3. Tune in a desired station by turning the Tuning Knob.
4. For FM reception, pull out the antenna and adjust the direction, length and angle to give the best reception.
5. Adjust the Volume Knob / On/Off knob for your desired listening level.
6. To turn off the radio, turn the Volume Knob / On/Off knob anti-clockwise until you listen a click sound.
The Radio On Indicator will light off.



AUX IN JACK

To listen to an external audio source, you need a stereo 3.5mm plug cable (Not included).

1. Connect one end of the 3.5mm plug into the output of the audio source, and the other end of the 3.5mm plug into the AUX IN Jack.
2. Play the audio source.
3. Turn the Volume Knob / On/Off knob clockwise until you listen a click sound, the unit turns on and the On Indicator will light on.

You can now listen to the audio playing from the audio source through the unit.

Note: Remember always unplug the 3.5mm plug cable from the unit after use.

NOMINAL SPECIFICATIONS

Power Sources	: AC230V ~ 50Hz Batteries 4 x R14/C/SUM-2
Power Output	: 500 mW RMS
Frequency Range	: FM 87.5-108 MHz AM 522-1620 KHz
Frequency Response	: 125 Hz-6KHz
Dimensions	: 210(L)x80(W)x139(H) MM
Weight	: 0.48 KG

Weight and dimensions are approximate because we continually strive to improve our products, specifications may change without prior notice.



TEAC

