
TEAC

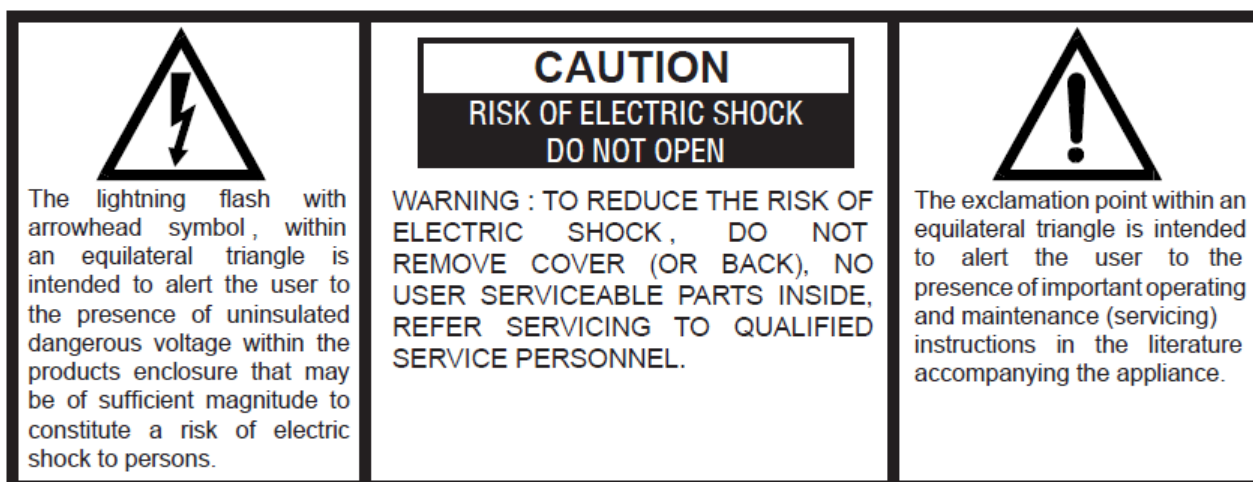
**MODEL: PCD240B/S
PORTABLE AM/FM CD PLAYER**



**PLEASE READ THIS USER MANUAL COMPLETELY BEFORE
OPERATING THIS UNIT AND RETAIN THIS BOOKLET FOR
FUTURE REFERENCE.**

WARNING

TO PREVENT FIRE OR ELECTRIC SHOCK, DO NOT USE THIS PLUG WITH AN EXTENSION CORD, RECEPTACLE OR OTHER OUTLET UNLESS THE BLADE TERMINALS CAN BE FULLY INSERTED TO PREVENT ANY EXPOSURE. TO PREVENT FIRE OR SHOCK HAZARD, DO NOT EXPOSE THIS APPLIANCE TO RAIN OR MOISTURE.



The Caution Marking is located at the bottom enclosure of the apparatus.

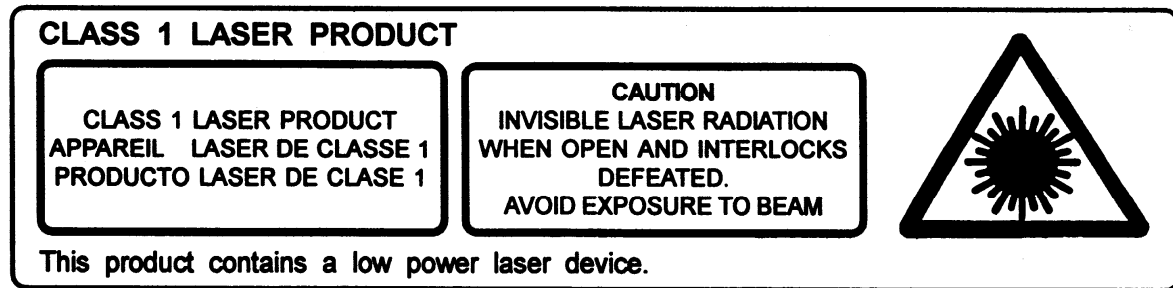
IMPORTANT SAFETY INSTRUCTIONS

1. Read these instructions carefully.
2. Keep these instructions in a safe place.
3. Heed all warnings.
4. Follow all instructions.
5. Do not use this apparatus near water.
6. Cleaning-Unplug this product from the wall outlet before cleaning. Do not use liquid cleaners or aerosol cleaners. Clean only with dry cloth.
7. Do not block any ventilation openings. Install in accordance with the manufacturer's instructions.
8. Do not place this product on an unstable cart, stand, tripod, bracket, or table. The product may fall, causing serious injury to a child or adult, and serious damage to the product. Use only with a cart, stand, tripod, bracket, or table recommended by the manufacturer, or sold with the product. Any mounting of the product should follow the manufacturer's instructions, and should use a mounting accessory recommended by the manufacturer. A product and cart combination should be moved with care-quick stops, excessive force and uneven surfaces may cause the product and cart combination to overturn.
9. Do not install near any heat sources such as radiators, heat registers, stoves, or other apparatus (including amplifiers) that product heat.
10. If the provided plug does not fit into your outlet, consult an electrician for replacement of the obsolete outlet.



11. Protect the power cord from being walked on or pinched particularly at plugs, convenience receptacles, and the point where they exit from the apparatus.
12. Only use attachments/accessories specified by the manufacturer.
13. Unplug this apparatus during lightening storms or when unused for a long periods of time.
14. Refer all servicing to qualified service personnel. Servicing is required when the apparatus has been damaged in any way, such as power-supply cord or plug is damaged, liquid has been spilled or objects have fallen into the apparatus, the apparatus has been exposed to rain or moisture, does not operate normally, or has been dropped.
15. This appliance shall not be exposed to dripping or splashing water and that no object filled with liquids such as vases shall be placed on the apparatus.
16. Do not overload wall outlet. Use only power source as indicated.
17. Use replacement part as specified by the manufacturer.
18. The product may be mounted to a wall only if recommended by the manufacturer.
19. Upon completion of any service or repairs to this product, ask the service technician to perform safety checks.
20. Power Sources - This product should be operated only from the type of power source indicated on the marking label. If you are not sure of the type of power supply to your home, consult your product dealer or local power company. For products intended to operate from battery power, or other sources, refer to the operating instruction.
21. Object and Liquid Entry - Never push objects of any kind into this product through openings as they may touch dangerous voltage points or short-out parts that could result in a fire or electric shock. Never spill liquid of any kind on the product.
22. This appliance is not intended for use by persons (including children) with reduced physical, Sensory or mental capabilities or lack of experience and knowledge unless they have been given supervision or instruction concerning use of the appliance by a person responsible for their safety.
23. Damage Requiring Service - Unplug this product from the wall outlet and refer servicing to qualified service personnel under the following conditions:
 - a) When the power-supply cord or plug is damaged,
 - b) If liquid has been spilled, or objects have fallen into the product,
 - c) If the product has been exposed to rain or water,
 - d) If the product does not operate normally by following the operating instructions. Adjust only those controls that are covered by the operating instructions as an improper adjustment of other controls may result in damage and will often require extensive work by a qualified technician to restore the product to its normal operation.
 - e) If the product has been dropped or damaged in any way, and
 - f) When the product exhibits a distinct change in performance - this indicates a need for service.

CAUTION



Follow the advice below for safe operations.

ON PROTECTION AGAINST LASER ENERGY EXPOSURE

- As the laser beam used in this compact disc player is harmful to the eyes, do not attempt to disassemble the casing.
- Stop operation immediately if any liquid or solid object should fall into the cabinet.
- Do not touch the lens or poke at it. If you do, you may damage the lens and the player may not operate properly.
- Do not put anything in the safety slot. If you do, the laser diode will be ON when the CD door is still open.
- If the unit is not to be used for a long period of time, make sure that all power sources are disconnected from the unit. Remove all batteries from the battery compartment.
- This unit employs a laser. The use of controls or adjustment or performance of procedures other than those specified here may result in exposure to hazardous radiation.

Should any trouble occur, remove the power source and refer servicing to qualified personnel.

COMPLIANCE WITH FCC REGULATIONS

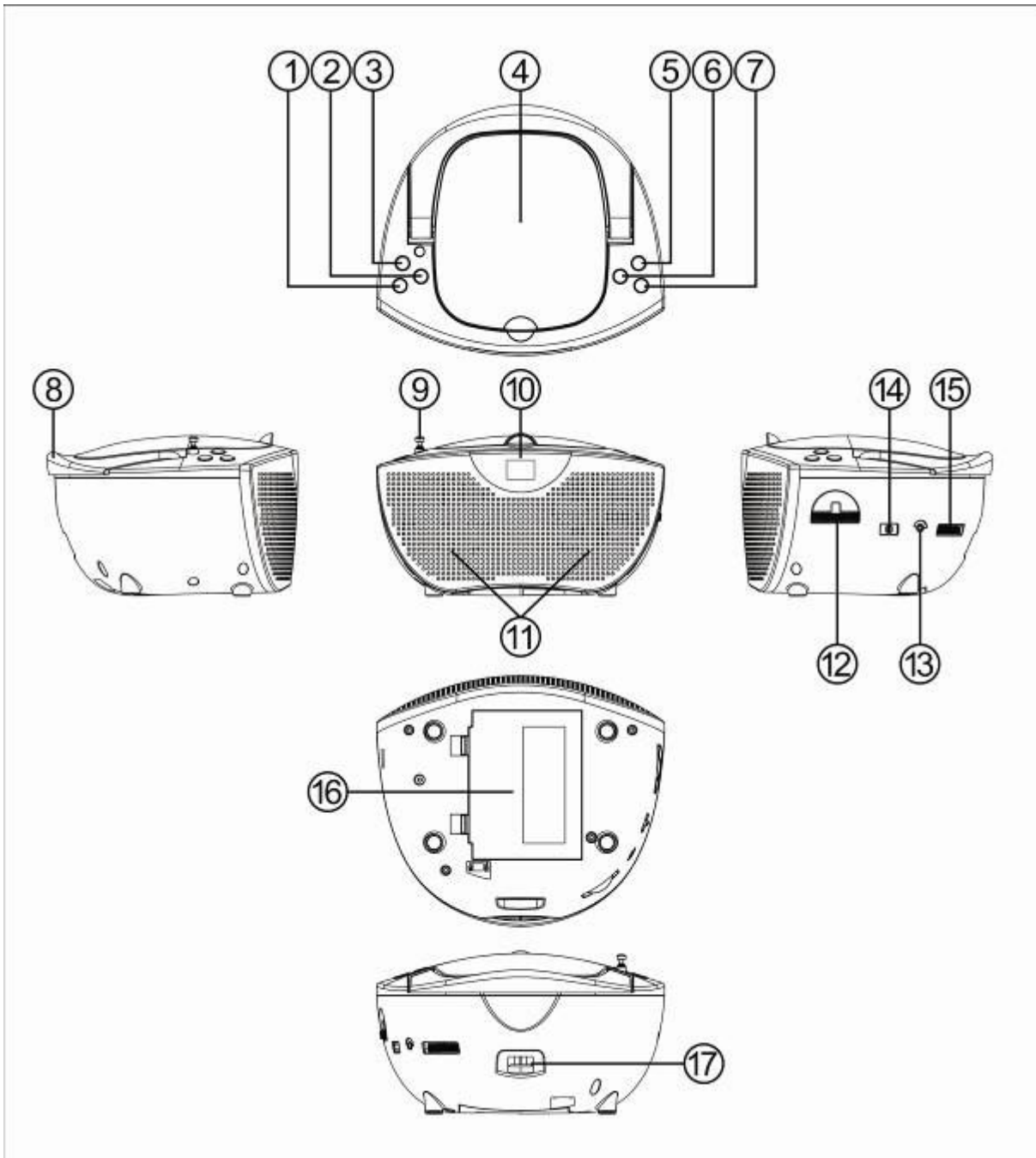
This equipment has been tested and found to comply with the limits for a Class B Digital Device, pursuant to Part 15 of the CE Rules. These limits are designed to provide reasonable protection against harmful interference in a residential installation. This equipment generates, uses and can radiate radio frequency energy and, if not installed and used in accordance with the instructions, may cause harmful interference to radio communications. However, there is no guarantee that interference will not occur in a particular installation. If this equipment does cause harmful interference to radio or television reception, which can be determined by turning the equipment off and on, the user is encouraged to try to correct the interference by one or more of the following measures:

- Reorient or relocate the receiving antenna.
- Increase the separation between the equipment and receiver.
- Connect the equipment into an outlet on a circuit different from that to which the receiver is connected.
- Consult the dealer or an experienced radio/TV technician for help.

WARNING

Changes or modifications to this unit not expressly approved by the party responsible for compliance could void the user's authority to operate the equipment.

LOCATION OF CONTROLS



1. Repeat Button	10. LED Display
2. F.F/Search Forward ►► Button	11. Speakers
3. REW/Search Backward ◀◀ Button	12. Tuning Control
4. CD Door	13. AUX IN Jack
5. Play/Pause Button ►	14. AM/FM/OFF/CD/AUX
6. Stop Button	15. Volume Control
7. Program (PROG) Button	16. Battery Compartment Door
8. Handle	17. AC Power Jack
9. FM ANT	

IMPORTANT NOTES

Avoid installing the unit in locations described below:

- Places exposed to direct sunlight or close to heat radiating appliances such as electric heaters.
- Dusty places.
- Places subject to constant vibration.
- Humid or moist places.

POWER SOURCES

This unit operates on 240V~ 50Hz or 6 x DC1.5V "C" (UM-2) batteries. Do not attempt to operate the radio on any other power source. You could cause damage to the unit and void your warranty.

Please be sure the power outlet you plug this unit into is working and receives constant (unswitched) power.

AC OPERATION

1. When the AC power cord (included) is connected to the AC Power Socket on the back of the unit and the other end is plugged into a 240V AC~ 50Hz wall outlet, the unit will disconnect the batteries automatically, and operate on AC Power only.
2. Slide the FUNCTION SWITCH to "CD" for CD play, "FM" for FM radio, "AM" for AM radio and "OFF" for unit to switch off.

BATTERY OPERATION

1. Remove the BATTERY DOOR.
2. Install 6 x DC1.5V "C" (UM-2) batteries (not included) according to the polarity diagram inside the battery compartment.
3. Close the BATTERY DOOR.

IMPORTANT:

Be sure that the batteries are installed correctly.

Wrong polarity may damage the unit and void the warranty.

For best performance and longer operating time, we recommend the use of good quality alkaline-type batteries.

CAUTION

1. Do not mix old and new batteries.
2. Do not mix alkaline, standard (carbon-zinc) or rechargeable (nickel-cadmium) batteries.
3. If the unit is not to be used for an extended period of time, remove the battery. Old or leaking batteries can cause damage to the unit and may void the warranty.
4. Do not dispose of batteries in fire, batteries may explode or leak.

BATTERY REPLACEMENT

When the output sound of this unit becomes distorted or the CD player operation appears unstable, the batteries are weak. You need to replace all the exhausted batteries at the same time as soon as possible to avoid battery leakage.

RADIO OPERATION

1. Slide the FUNCTION SWITCH to "AM" or "FM"
2. Rotate the TUNING CONTROL to your desired radio station according to the DIAL SCALE on the unit.
3. Rotate the VOLUME CONTROL to adjust to the desired output level.
4. To turn off the radio, slide the FUNCTION SWITCH to "OFF".

TIPS FOR BEST RECEPTION

AM – The AM antenna is located inside the cabinet of the unit. If AM reception is weak, change the position of unit until the internal antenna picks up the strongest signal.

FM – During FM reception, always keep the FM ANT fully extended for best performance. However, if FM reception is weak, try repositioning the unit near an open window until you get the best reception.

CD OPERATION

NOTE: This unit not only plays commercial compact discs but also self-compiled CD-RW discs.

- Because of non-standardised format definition/production of CD-R/RW, playback quality & performance is not guaranteed.
- Manufacturer is not responsible for the playability of CD-R/RW due to recording conditions such as PC performance, writing software, media properties etc.
- Do not attach a label or seal to either side of the CD-R/RW disc. It may cause a malfunction.

PLAY MODE

1. Slide the FUNCTION SWITCH to the "CD" position.
2. Open the CD DOOR (#4) , load a CD with the label side facing upward and then close the CD door (#4) .
3. Disc information (total number of tracks) will appear on the LED DISPLAY (#10) .
4. Press PLAY/PAUSE BUTTON (#5) to start playing the CD, the **PLAY/PAUSE** INDICATOR light steadily.
5. While playing, press the PLAY/PAUSE BUTTON (#5) to pause, the TRACK No. flash. Press PLAY/PAUSE BUTTON (#5) again to resume playing.
6. Adjust the VOLUME CONTROL (#15) to the desired volume level.
7. Press STOP BUTTON (#7) to stop playing.
8. To turn off the CD player, slide the FUNCTION SWITCH (#14) to "OFF".

NOTE: If skipping occurs during CD play, try turning the volume down.
Do not open the CD DOOR when a CD is playing.

REPEAT MODE

Repeat 1

When the REPEAT BUTTON (#1) is pressed once, the REPEAT INDICATOR will light and blink continuously. The current track will be repeated until it is interrupted.

Repeat All

When the REPEAT BUTTON (#1) is pressed twice, the REPEAT INDICATOR will light steadily. The whole disc will be played continuously.

To Cancel Repeat Function: Press the REPEAT BUTTON (#1) until the repeat indicator is off.

SKIP AND SEARCH MODE

1. During Play or Pause mode, tap the SKIP FORWARD "▶▶" (#2) or SKIP BACKWARD "◀◀" BUTTON (#3) to go to the next track or go back to the beginning of the current track.
2. During play mode or Pause mode, press and hold the SEARCH FORWARD "▶▶" (#2) or SEARCH BACKWARD "◀◀" BUTTON (#3) to search within the current track with audible high speed playback.

PROGRAM PLAY MODE

This function allows music tracks to be played in a programmed sequence.

NOTE: Program can only be set in STOP mode.

1. Press the PROGRAM BUTTON (#7) once. "01" in the LED DISPLAY (#10) and PROGRAM INDICATOR both will flash.
2. Press the SKIP FORWARD "▶▶" (#2) or SKIP BACKWARD "◀◀" BUTTON (#3) to select the track to be programmed.
3. Press the PROGRAM BUTTON (#7) again to store the selection. The LED DISPLAY (#10) will advance to "02" and flash to prompt for the next input.
4. You may repeat steps #2 to #3 to program up to 20 tracks. As soon as you have entered the 20th track, the LED DISPLAY will automatically show the programmed tracks one by one in their correct sequence starting from the first. At the end of program review, "01" in the LED DISPLAY and PROGRAM INDICATOR will both flash.
5. Press PLAY BUTTON (#5) to complete and start program play. The **PROGRAM** INDICATOR will blink. Press STOP BUTTON (#6) to stop.

6. Normally all the programmed tracks will be played through once and then stop. However, you may use the REPEAT function to repeatedly play a certain track (Repeat 1) or all tracks in the program (Repeat All). You may also tap SKIP FORWARD "▶▶" BUTTON (#2) to go directly to other tracks ahead during program play but you cannot use SKIP BACKWARD "◀◀" BUTTON (#3) to go back to previous track(s).
7. To review/edit the programmed tracks during play, press the STOP BUTTON (#6) and then the PROGRAM BUTTON (#7), the LED DISPLAY (#10) will automatically show the programmed tracks one by one in their correct sequence starting from the first. At the end of program review, "01" in the LED DISPLAY and PROGRAM INDICATOR will both flash. If you do not want to change any track in the program, press PLAY BUTTON. (#5)
8. To edit a programmed track, use the SKIP FORWARD "▶▶" (#2) or SKIP BACKWARD "◀◀" BUTTON (#3) to select a new track and press PROGRAM BUTTON to confirm. To skip forward, press PROGRAM BUTTON (#7) until you reach the program number whose track you want to change.
9. To cancel program play, press the STOP BUTTON (#6) twice while program playback is running or open the CD DOOR (#4) in stop mode.

AUX IN OPERATION

This CD features an aux line-in jack for connecting your iPod, MP3 player or other digital music player.

1. Connect the headphone jack of your external device to the AUX IN jack located on the left side of this CD player (The connection cable is not included).
2. Turn on the CD player and it will enter the AUX function mode once an external device is plugged into the AUX IN jack (#13).
3. Start to play your iPod, MP3 player or other external audio device.
4. Slowly adjust both volume controls on your CD player and the external device.
5. Turn off your iPod, MP3 player and etc. when finish listening. Turn the CD player off and unplug the AUX IN jack.

Remark: The AUX IN jack only can be used in the CD mode.

Once the AUX IN jack is plugged, the CD player will automatically enter the AUX mode Remember to disconnect the cable from the CD player after use, in order to be able to listen to the CD player again.

SPECIFICATIONS

Frequency Range:	AM 522 - 1620 kHz FM 87.5 - 108 MHz
Power Sources:	240V~ 50Hz 12W or 6 x DC1.5V 'C' (UM-2) Batteries (Not included)

CARE AND MAINTENANCE

1. Children should be supervised when using this appliance.
2. Never wrap the earphone lead around any animal or person. Special care should be taken with long wires.
3. Clean your unit with a damp (never wet) cloth. Solvent or detergent should never be used.
4. Avoid leaving your unit in direct sunlight or in hot, humid or dusty places.
5. Keep your unit away from heating appliances and sources of electrical noise such as fluorescent lamps or motors.
6. If drop-outs or interruptions occur in the music during CD play, or if the CD fails to play at all, its bottom surface may require cleaning. Before playing, wipe the disc from the center outwards with a good soft cleaning cloth.

TROUBLESHOOTING GUIDE

Symptom	Possible Cause	Solution
Noise or sound distorted on AM or FM broadcast	<ul style="list-style-type: none"> - Station not tuned properly for AM or FM. - FM: FM telescopic antenna is not extended. - AM: The bar antenna is not positioned correctly 	<ul style="list-style-type: none"> - Retune the AM or FM broadcast station. - FM: Extend FM telescopic antenna. - AM: Reposition the unit until the best reception is obtained.
AM or FM no sound	<ul style="list-style-type: none"> - Unit not in "RADIO" function mode. - Volume set at minimum 	<ul style="list-style-type: none"> - Slide Function Switch to "RADIO" position. - Increase Volume.
CD player will not play	<ul style="list-style-type: none"> - Unit not in CD function mode. - CD is not loaded properly. - If the CD is self-compiled, the media used may not be compatible with the player. 	<ul style="list-style-type: none"> - Select CD function mode. - Load CD with label side up. - Use better quality blank media and retest. Make sure format used is compatible.
CD skips while playing	<ul style="list-style-type: none"> - Disc is dirty or scratched. 	<ul style="list-style-type: none"> - Wipe CD with clean cloth or use another disc.
Intermittent sound from CD player	<ul style="list-style-type: none"> - Dirty or defective disc - Dirty pick up lens - Player is subject to excessive shock or vibration 	<ul style="list-style-type: none"> - Clean or replace the defective disc. - Use a CD lens cleaning disc to clean the lens. - Relocate the player away from shock or vibration.
Sound appears distorted at high volume setting	<ul style="list-style-type: none"> - Volume control is set to maximum. 	<ul style="list-style-type: none"> - Adjust Volume Control to a lower comfortable level. - Turn off DBBS function for very loud music.

Imported and Distributed in New Zealand by:
 Direct Imports (NZ) Ltd
 P O Box 72
 Hastings 4156
www.teac.co.nz

